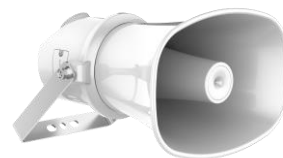


**DS-QAZ1310G1T-E  
10 W Network Horn Speaker**

- Adopt high-speed industrial grade dual core chips, built-in NOR Flash+EMMC dual storage, support dual backup of the system to ensure stable and reliable system performance.
- Support secure startup, user login locking mechanism, and password complexity prompts, support security audit log traceability, and improve system network security.
- Support batch unified management of remote platforms through IP networks (local area networks/public networks) and flexible configuration of local WEB single machines, while also support local audio collection and playback, adapting to various scene applications.
- Support alarm input, arming schedule, and audio linkage, support TTS speech synthesis and text broadcasting, with natural and smooth standard male and female dual audio options.
- Support two-way audio by SIP.

## ▪ Specification

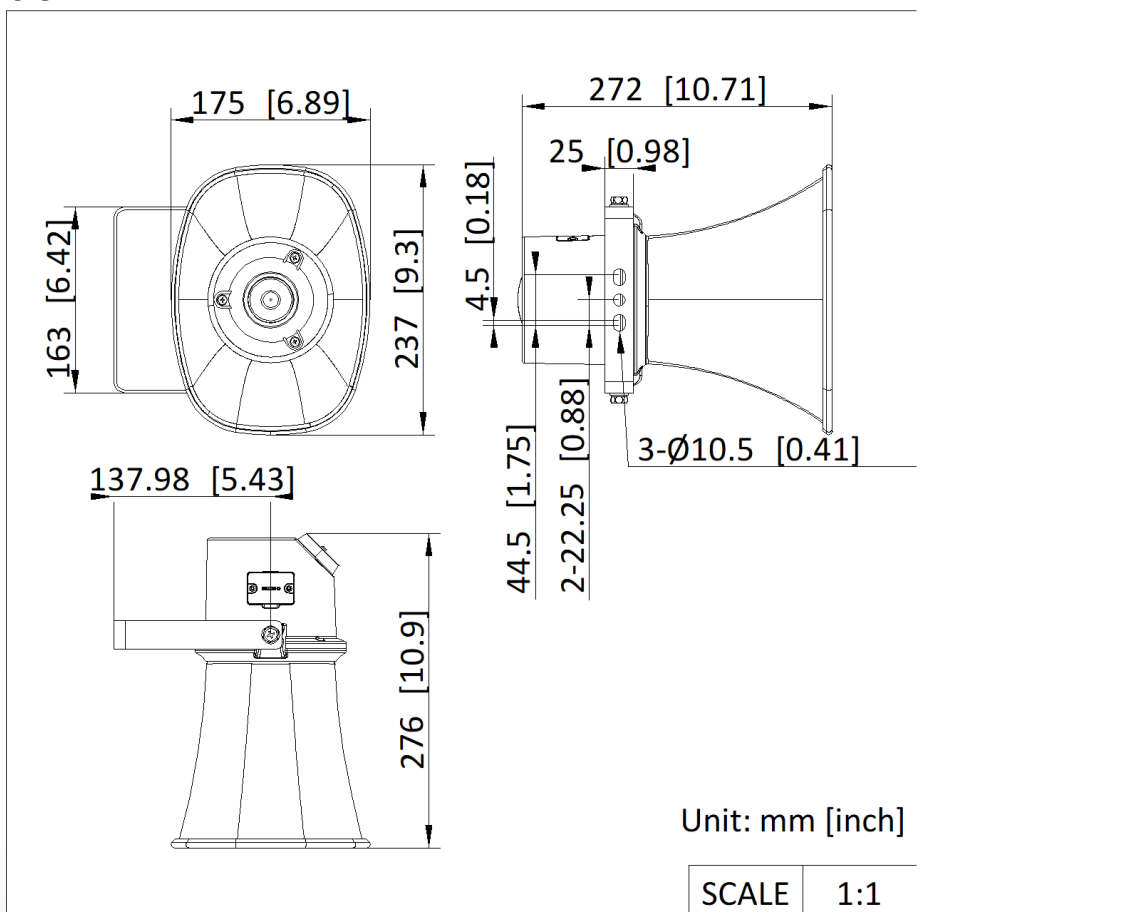
| Microphone               |                                                                                       |
|--------------------------|---------------------------------------------------------------------------------------|
| Type                     | Electret                                                                              |
| Amount                   | 2                                                                                     |
| Frequency Response       | 100 Hz to 20 kHz                                                                      |
| Sensitivity              | -42 dBV/Pa                                                                            |
| Sampling Rate            | 48 kHz                                                                                |
| Quantization Bits        | 16-bit                                                                                |
| Speaker                  |                                                                                       |
| Rated Power              | 10 W                                                                                  |
| Impedance                | 8 Ω                                                                                   |
| Max. Acoustic Pressure   | 121 dB SPL                                                                            |
| Sensitivity(1 m, 1 W)    | 110 dB                                                                                |
| Direction                | 70° horizontal by 100°                                                                |
| Frequency Response       | 300 Hz to 13 kHz                                                                      |
| SNR                      | 85 dB                                                                                 |
| Function                 |                                                                                       |
| Audio Algorithm          | AEC, AGC, ANS, DRC                                                                    |
| Audio Bit Rate           | G.711ulaw (64 Kbps)/G.711alaw (64 Kbps)/MP3 (128 Kbps)<br>Sampling bit width: 16 bits |
| Audio File Format        | WAV, MP3, MP2, and AAC (ADTS encapsulation only)                                      |
| NTP Timing               | Support                                                                               |
| Broadcast                | Regular broadcast, live broadcast, emergency broadcast                                |
| Two-Way Audio            | Support                                                                               |
| Speech Synthesis         | Language Type: English, Russian, Spanish, Japanese, Thai, Portuguese (Brazil)         |
| Network                  |                                                                                       |
| Network Protocol         | IPv4, HTTP, HTTPS, SIP, SSL/TLS, DNS, NTP, TCP, UDP, IGMP, ICMP, DHCP, ARP            |
| Interface Protocol (API) | ISAPI, ISUP, SIP, RTP, ONVIF                                                          |
| Client                   | Hik-Connect, ivms/4200, HikCentral Professional, Hik-Partner Pro, NVR, MileStone      |
| Communication            |                                                                                       |
| Communication Method     | Support wired network communication                                                   |
| Interface                |                                                                                       |
| Ethernet Interface       | RJ45 10 M/100 M Adaptive Ethernet port × 1                                            |
| Power Output             | 12 VDC, 25 mA, 0.3 W,<br>PoE: max. 5 W                                                |
| Local Storage            | Built-in 64 GB EMMC (Audio file storage is 55 GB.)                                    |
| API                      | ISAPI, ISUP, SIP, ONVIF                                                               |
| Reset                    | Support                                                                               |
| General                  |                                                                                       |
| Material                 | Metal                                                                                 |
| Operating Temperature    | -30 °C to 60 °C (-22 °F to 140 °F)                                                    |
| Operating Humidity       | < 90% (No condensation)                                                               |
| Dimension                | 175 mm × 237 mm × 272 mm (6.9" × 9.3" × 10.7")                                        |
| Power                    | 12 VDC, 1500 mA, 18 W,<br>PoE: IEEE 802.3at, Class 4                                  |

|                     |                                                                                                                                                                           |
|---------------------|---------------------------------------------------------------------------------------------------------------------------------------------------------------------------|
| Package Dimension   | 310 mm × 245 mm × 350 mm (12.2" × 9.6" × 13.8")                                                                                                                           |
| Weight              | Approx. 2.1 kg (4.63 lb.)                                                                                                                                                 |
| Color               | White                                                                                                                                                                     |
| With Package Weight | Approx. 3.0 kg (6.61 lb.)                                                                                                                                                 |
| Packing List        | Device × 1<br>Threading cap × 1<br>Regulatory Compliance and Safety Information × 1                                                                                       |
| Language            | 9 languages: English, French, Spanish, German, Italian, Russian, Japanese, Thai, Portuguese (Brazil)                                                                      |
| <b>Approval</b>     |                                                                                                                                                                           |
| Protection          | IP67                                                                                                                                                                      |
| EMC                 | CE-EMC: EN 55032:2015+A11:2020+A1:2020, EN IEC 61000-3-2:2019, EN 61000-3-3:2013+A1:2019+A2:2021, EN 55035:2017+A11:2020 RCM: AS/NZS CISPR 32: 2015 IC: ICES-003: Issue 7 |
| Safety              | CB: IEC 62368-1:2014<br>CE-LVD: EN 62368-1:2014/A11:2017                                                                                                                  |
| Environment         | CE-RoHS: 2011/65/EU<br>WEEE: 2012/19/EU<br>Reach: Regulation (EC) No 1907/2006                                                                                            |

### ▪ Available Model

DS-QAZ1310G1T-E

### ▪ Dimension



# See Far, Go Further



[www.hikvision.com](http://www.hikvision.com)  
[support@hikvision.com](mailto:support@hikvision.com)

